

CATALOG NUMBERING SYSTEM

POSITION

1 2 3 4 5 6 7 8 9 10 11 12 13

CP 7 1 0 - 1

TP

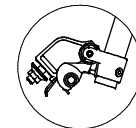
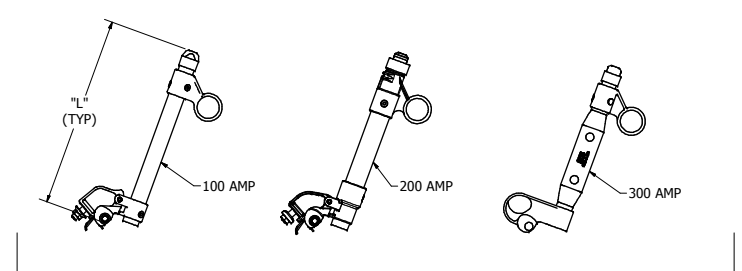
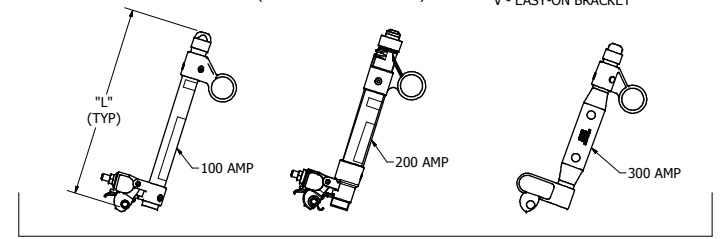
POSITION 6
INSULATION
(110KV BIL)

POSITIONS 7 & 8
FUSEHOLDER
(SEE TABLE)

POSITION 9
TERMINAL
P - PG CLAMPS
P2 - PG CLAMP 2 PIECE
E - SMALL EYEBOLT
L - LARGE EYEBOLT
R - ROATED BOTTOM PG
T - FUSEHOLDER ONLY
(POSITION 10 & 11 BLANK)

POSITION 11-13
SPECIAL OPTIONS
BLANK - NO OPTION
D - RATING LABEL
F - WILDLIFE PROTECTOR
K - TRUNNION W/ KEYHOLE
M - MECHANICAL ASSIST FUSEHOLDER
S - STAINLESS STEEL

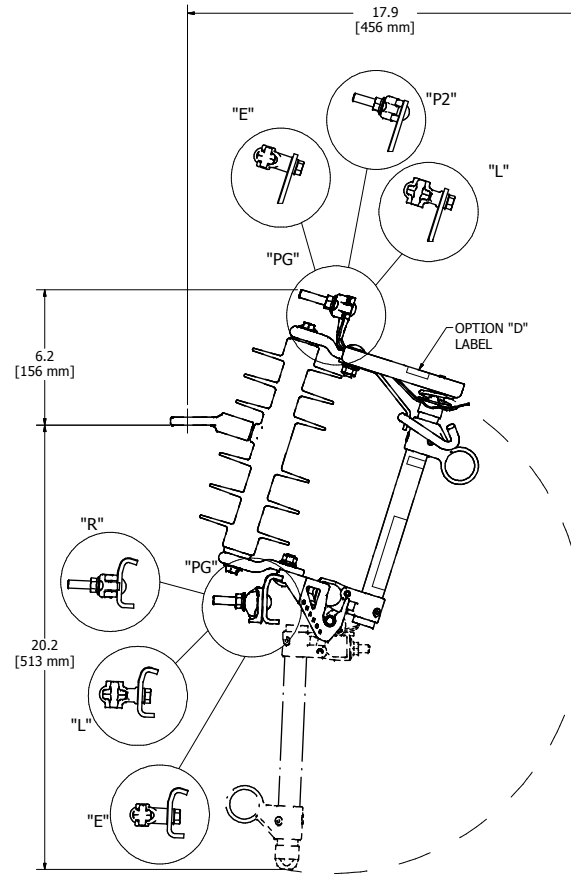
POSITION 10
MOUNTING BRACKET
BLANK OR Z - NO BRACKET
B - NEMA "B" BRACKET
C - NEMA "B" BRACKET W/6" BOLTS
X - EXTENDED BRACKET
D - "D" BRACKET
V - EASY-ON BRACKET



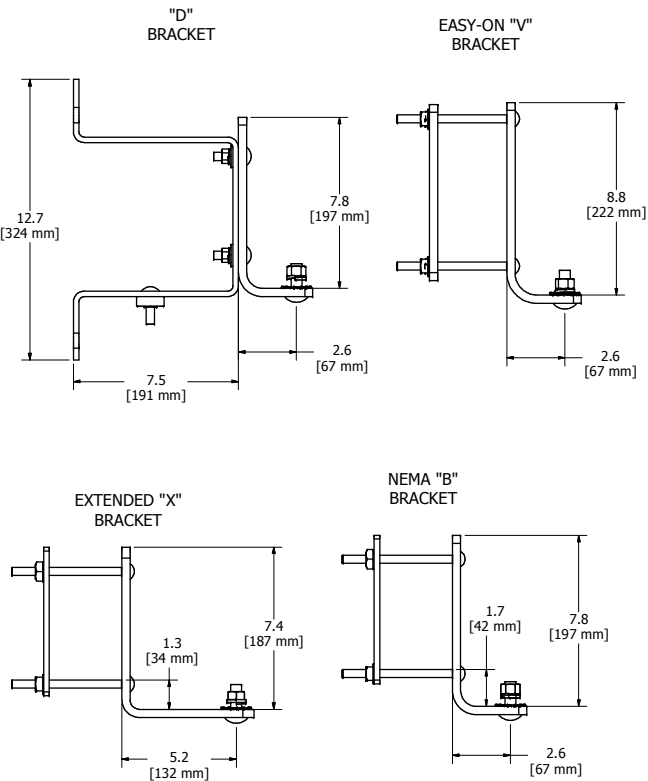
ASSIST SPRING TYPICAL
FOR 100 & 200 AMP
FUSEHOLDERS

POSITION 7 & 8 FUSE HOLDER					
POSITION 7 & 8	KV MAX	AMPS	AIC ASYM	"L"	ARC ROD
12	15	100	10,000	11.50 (292 MM)	NONE
14	15	100	16,000	11.59 (294 MM)	4.00 (102 MM)
43	15	200	12,000	11.59 (294 MM)	3.50 (89 MM)
33	15	300	12,000	11.59 (294 MM)	NONE
MM	15	-	-	-	-

FOR MOUNTING ONLY



DIMENSION ARE APPROXIMATE
AND FOR REFERENCE ONLY



CHANCE EC: 70151 SR 06-21-17		HUBBELL POWER SYSTEMS, INC. HUBBELL POWER SYSTEMS	
CONFIDENTIAL: THIS DRAWING AND ITS CONTENTS ARE CONFIDENTIAL AND THE EXCLUSIVE PROPERTY OF HUBBELL POWER SYSTEMS. NO PUBLICATION, DISTRIBUTION OR COPIES MAY BE MADE WITHOUT THE WRITTEN CONSENT OF HUBBELL POWER SYSTEMS. HUBBELL POWER SYSTEMS UNPUBLISHED ALL RIGHTS RESERVED UNDER THE COPYRIGHT LAWS.		TITLE CUTOUT, 15KV 110 BIL POLYMER	
SIZE D	DWG NO. SAP710-1	CAT / PART NO. SEE CHART	REV E
DO NOT SCALE THIS DRAWING		DRN BY COCHRAN	DATE 08-21-13 SHEET 01 OF 01